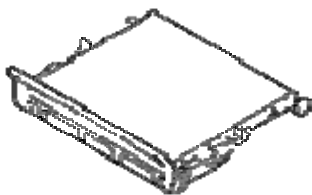
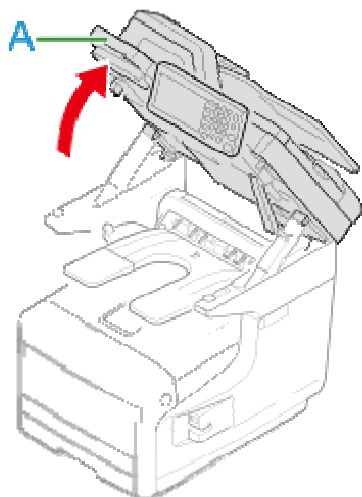


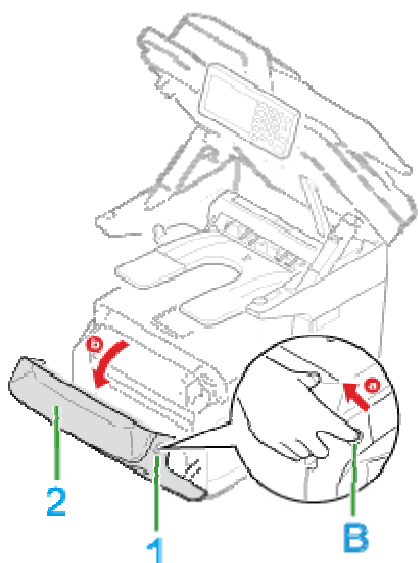
1. Prepare a replacement belt unit.



2. Hold the handle (A) to open the scanner unit.



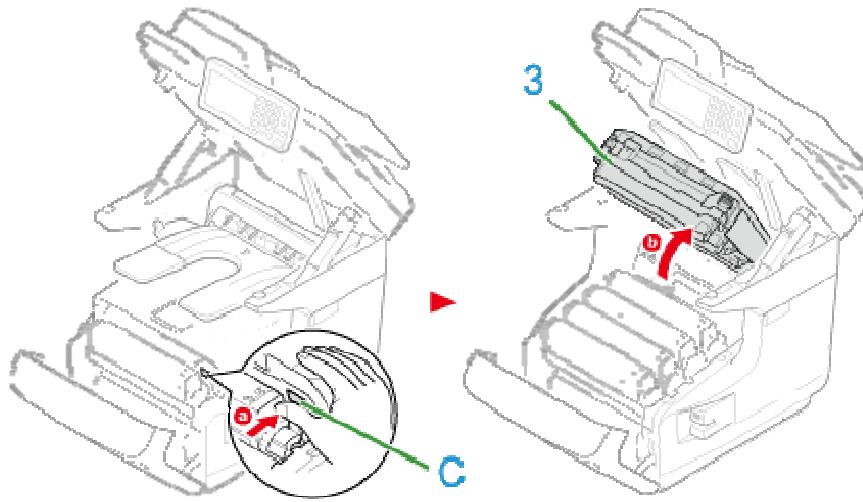
3. Insert your finger into the lever (B) on the right side of the machine and pull the front cover open lever (1) to open the front cover (2) forward.



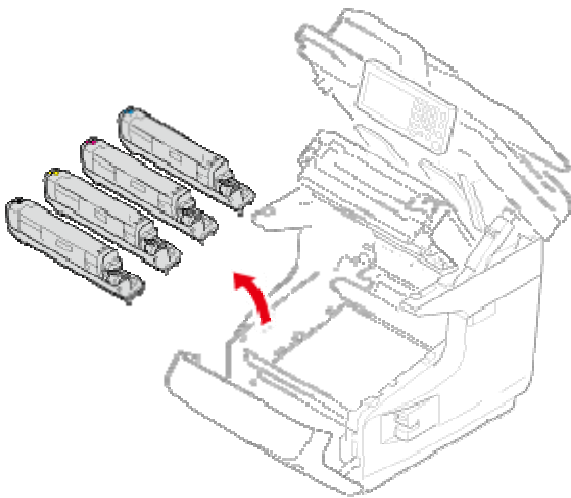
4. Press the button (C) and open the Output Tray (3).

**Possible to get burned.**

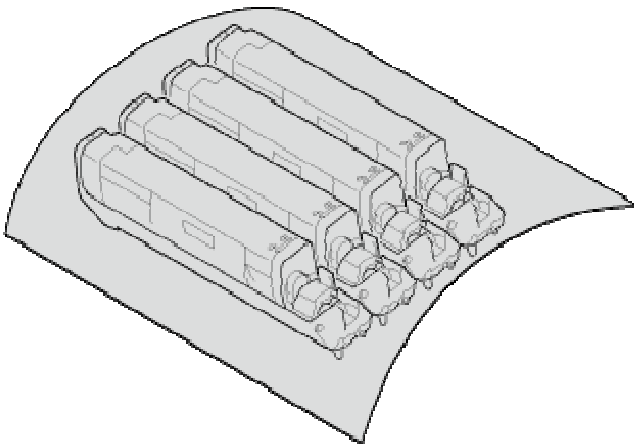
The fuser unit is extremely hot. Do not touch it.



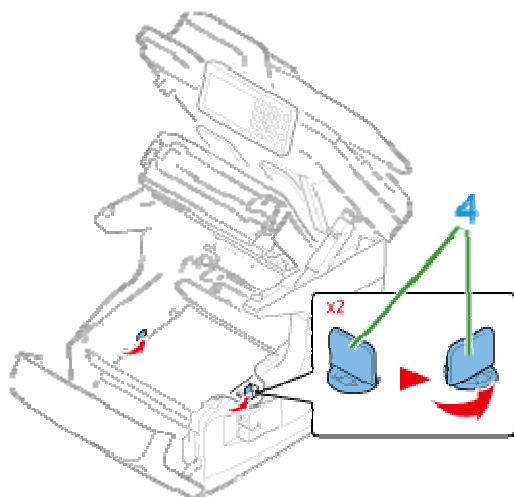
5. Take all the four image drums out of the machine, and then place them on a flat surface.



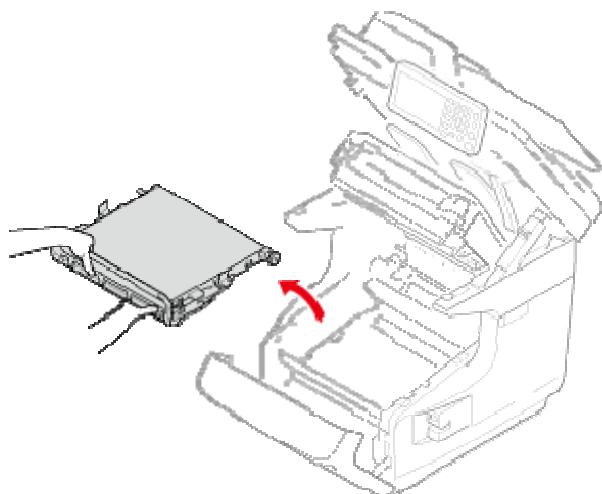
6. Cover the image drums you took out with paper so that the image drums do not expose to the light.



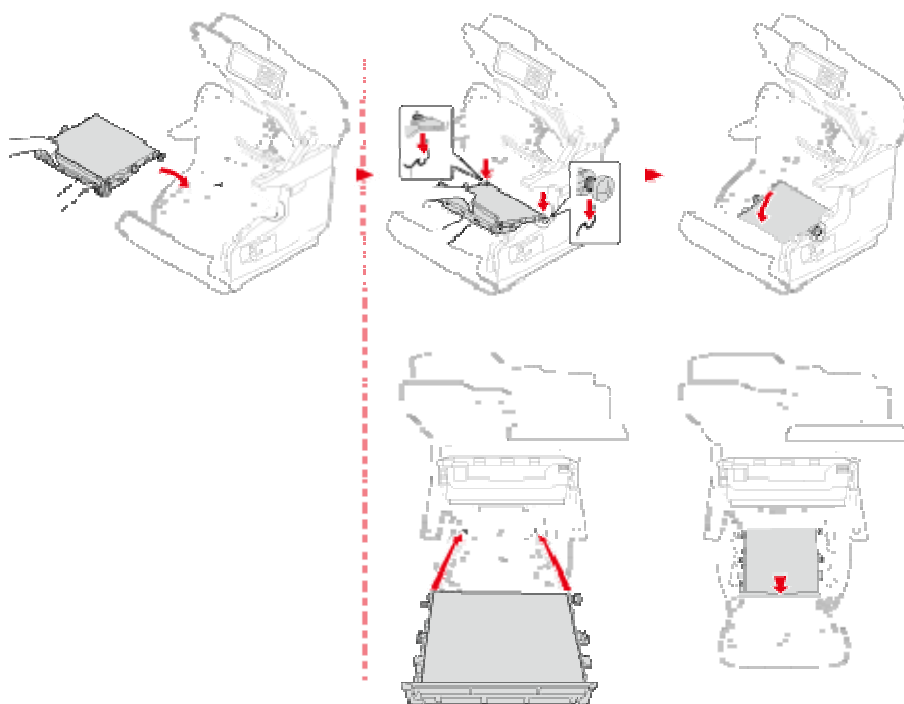
7. Turn the blue locks (4) on each side of the belt unit in direction of the arrow to unlock.



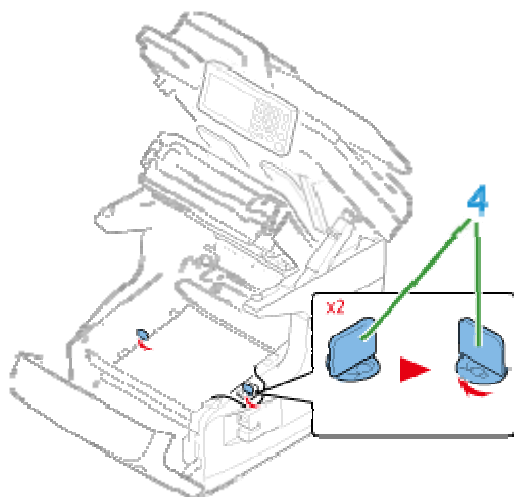
8. Remove the belt unit by holding the blue lever.



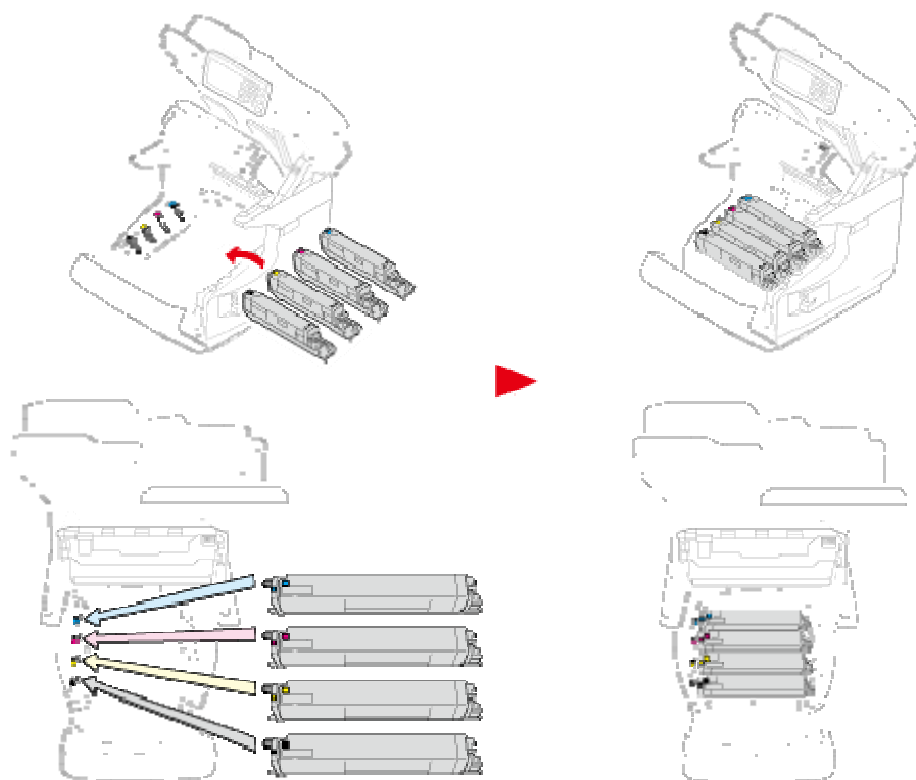
9. Hold the handle of a new belt unit with your hand and support lower part with other hand. Set the belt unit into the machine.



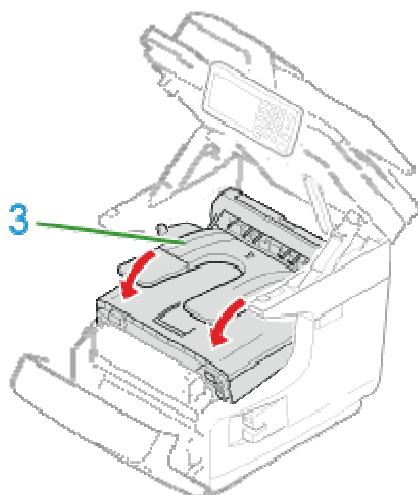
10. Turn the blue locks (4) on each side of the belt unit in direction of the arrow.



11. Return all the four image drums to the machine.



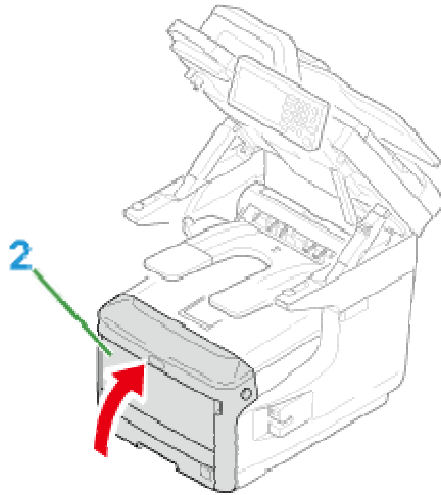
12. Close the Output Tray (3) by pushing the both sides of the Output Tray firmly.



**13. Close the front cover (2).**

**Note**

The front cover cannot be closed if the Output Tray is not closed securely.



**14. Hold the handle (A) to close the scanner unit.**

